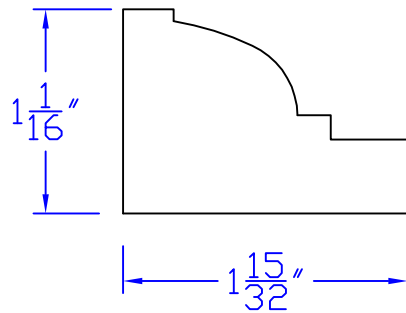


# Creative Woodworking N.W., Inc.

1036 S.E. Taylor \* Portland, Oregon 97214

Phone:(503) 230-9265 \* Fax:(503) 232-9082

www.Creativewoodworkingnw.com



BRKM106

1- $\frac{1}{16}$ " x 1- $\frac{15}{32}$ "