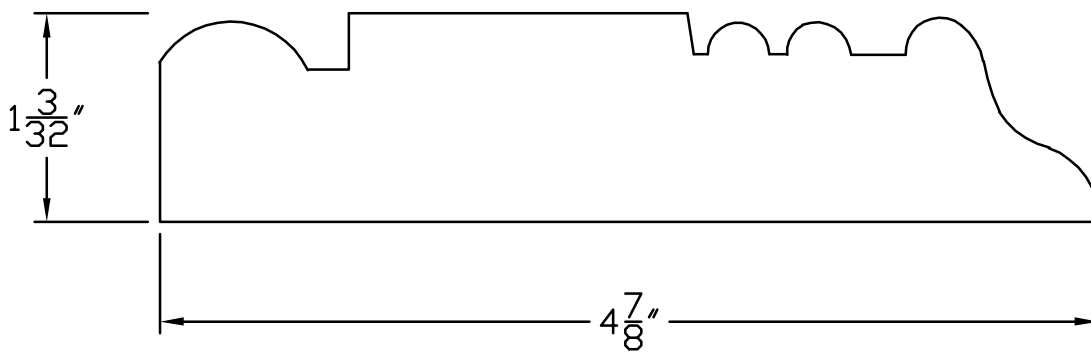


Creative Woodworking N.W., Inc.

1036 S.E. Taylor * Portland, Oregon 97214

Phone:(503) 230-9265 * Fax:(503) 232-9082

www.Creativewoodworkingnw.com



CHRL044

1 $\frac{3}{32}$ " X 4 $\frac{7}{8}$ "