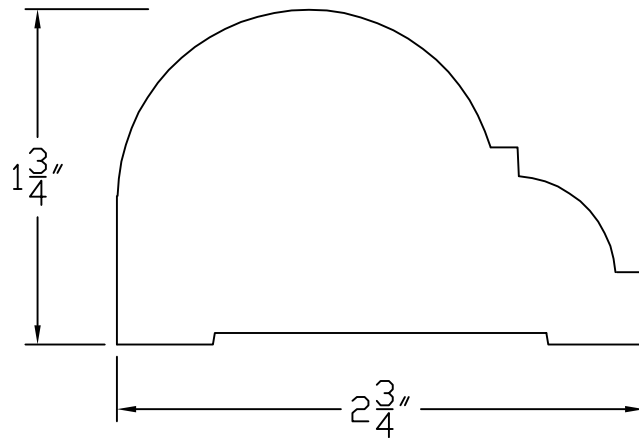


# Creative Woodworking N.W., Inc.

1036 S.E. Taylor \* Portland, Oregon 97214

Phone:(503) 230-9265 \* Fax:(503) 232-9082

[www.Creativewoodworkingnw.com](http://www.Creativewoodworkingnw.com)



CHRL058

$1\frac{3}{4}$ "  $\times$   $2\frac{3}{4}$ "