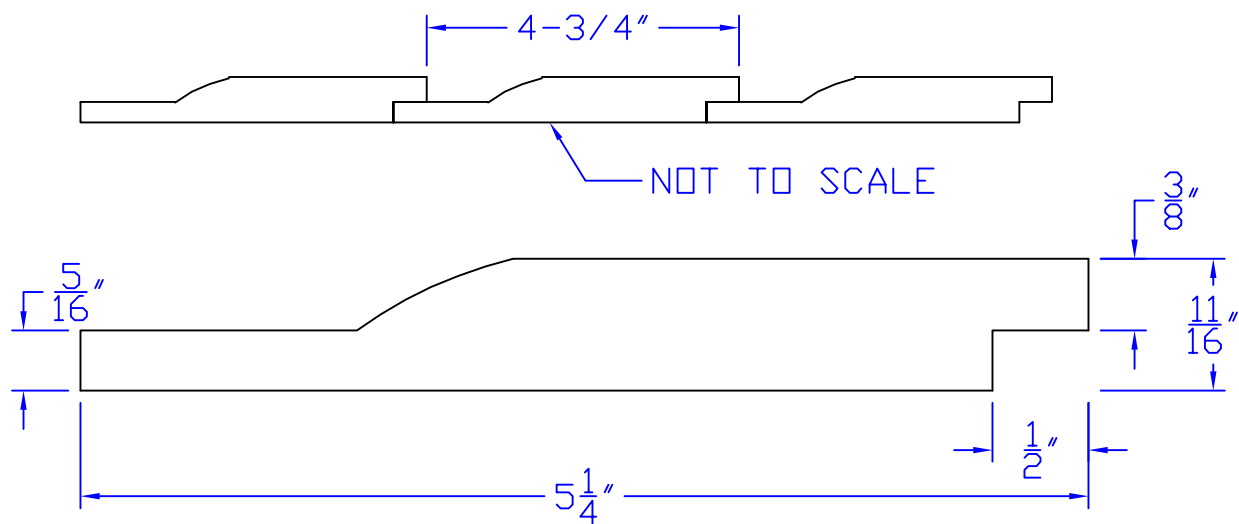


Creative Woodworking N.W., Inc.



SDSL001

$1\frac{11}{16}$ " x $5\frac{1}{4}$ "

VARIOUS WIDTHS AVAILABLE